

Proximity sensors SMT-10M, for C-slot



Festo Core Range
Solves the majority of your automation tasks

With the Festo Core Range, we have selected the most important products and functions from our broad product catalogue, and added the quickest delivery.

Worldwide: Quickest delivery – wherever, whenever
Simply good: Expected high Festo quality
Fast: Easy and fast to select

The Core Range offers you the best value for your automation tasks.



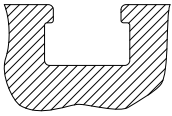
Product range overview

| Design | Type of mounting | Measuring principle | Type | Operating voltage range | Switching output | Switching element function | → Page/ Internet |
|-------------------|--|---------------------|-------------------|-------------------------|------------------------|----------------------------|---------------------|
| For C-slot | Standard | | | | | | |
| | Inserted in the slot from above, flush with the cylinder profile | Magneto-resistive | SMT-10M | 5 ... 30 V DC | PNP | N/O contact | 6 |
| | | | | | NPN | | |
| | | | | | Non-contacting, 2-wire | | |
| | Inserted in the slot lengthwise | Magnetic reed | SME-10M | 5 ... 30 V AC/DC | Contacting, bipolar | N/O contact | – |
| Magneto-resistive | | SMT-10G | 10 ... 30 V DC | PNP, NPN | N/O contact | – | |
| | Magnetic reed | SME-10 | 12 ... 27 V AC/DC | Contacting | N/O contact | – | |
| For T-slot | Standard | | | | | | |
| | Inserted in the slot from above, flush with the cylinder profile | Magneto-resistive | SMT-8M | 10 ... 30 V DC | PNP | N/O contact | T-slot |
| | | | | | | N/C contact | |
| | | | | | NPN | N/O contact | |
| | | Magnetic reed | SME-8M | 5 ... 30 V AC/DC | Contacting, bipolar | N/O contact | |
| | | | | | | N/C contact | |
| | Inserted in the slot lengthwise, flush with the cylinder profile | Magneto-resistive | SMT-8 | 10 ... 30 V DC | PNP | N/O contact | |
| | | | | | NPN | | |
| | Inserted in the slot lengthwise, flush with the cylinder profile | Magnetic reed | SME-8 | 12 ... 30 V AC/DC | Contacting, bipolar | N/O contact | |
| | | | | 3 ... 230 V AC/DC | | N/C contact | |
| | | | | 5 ... 250 V AC/DC | | N/O contact | |
| | Inserted in the slot lengthwise | Magneto-resistive | SMT-8G | 10 ... 30 V DC | PNP | N/O contact | |
| | | Magneto-resistive | SMT-8-SL | 10 ... 30 V DC | PNP | N/O contact | |
| | | Magnetic reed | SME-8-SL | 10 ... 30 V AC/DC | Contacting, bipolar | N/O contact | |
| | Via accessories | Magneto-resistive | SMT0-8E | 10 ... 30 V DC | PNP | N/O contact | |
| | | | | | | | |
| | | | | | NPN | | |
| | | Magnetic reed | SME0-8E | 12 ... 30 V DC | Contacting, bipolar | N/O contact | |
| | | | | 3 ... 250 V DC | | | |
| | | | | 3 ... 230 V AC | | | |
| | Corrosion-resistant | | | | | | |
| | Inserted in the slot lengthwise, flush with the cylinder profile | Magneto-resistive | CRSMT-8 | 10 ... 30 V DC | PNP | N/O contact | T-slot |
| | Welding field immune | | | | | | |
| | Via accessories | Magneto-inductive | SMTSO-8E | 10 ... 30 V DC | PNP | N/O contact | T-slot |
| | | | | | NPN | | |
| | Heat resistant up to 120°C | | | | | | |
| | Inserted in the slot lengthwise, flush with the cylinder profile | Magnetic reed | SME-8...S6 | 0 ... 30 V AC/DC | Contacting, bipolar | N/O contact | T-slot |
| Via accessories | Magnetic reed | SME0-8E...S6 | 0 ... 30 V DC | Contacting | N/O contact | T-slot | |
| | | | 0 ... 30 V AC | | | | |

Product range overview

T-slot sensors can be used for drives with T-slot

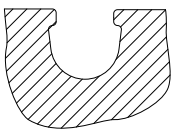
Exceptions



- DFM-B: SMT0-8E, SMTSO-8E, SME0-8E, SMP0-8E cannot be used
- DHDS: SME-8M can only be used on $\varnothing 50$
- DHPS: SME-8M can only be used on $\varnothing 20 \dots 35$
- HGDD-63-A: SMT-8M-A cannot be used
- HGPT-B: only SMT-8G can be used for size 40 and upwards
- SDBT-BSW- ... -PU/NU can only be used on a limited number of drive series

C-slot sensors can be used for drives with C-slot

Exceptions

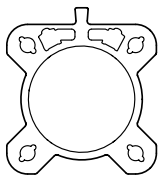


- ADVC $\varnothing 100$: SMT-10M and SME-10M cannot be used (ADVC has a T-slot and a C-slot)
- DSM/DSM-B-6/8/10: SME-10M cannot be used
- DSM/DSM-B-10/16: SMT-10M cannot be used
- HGPT-B: only SMT-10G can be used for sizes up to and including size 35

For drives with sensor rail: these are available with 2 cylinder barrel contours

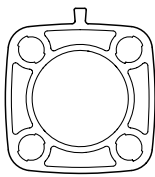
Only T-slot sensors CRSMT-8M and SMT-8M-A can be used, and only with the suitable profile identified below.

Example: DSBF



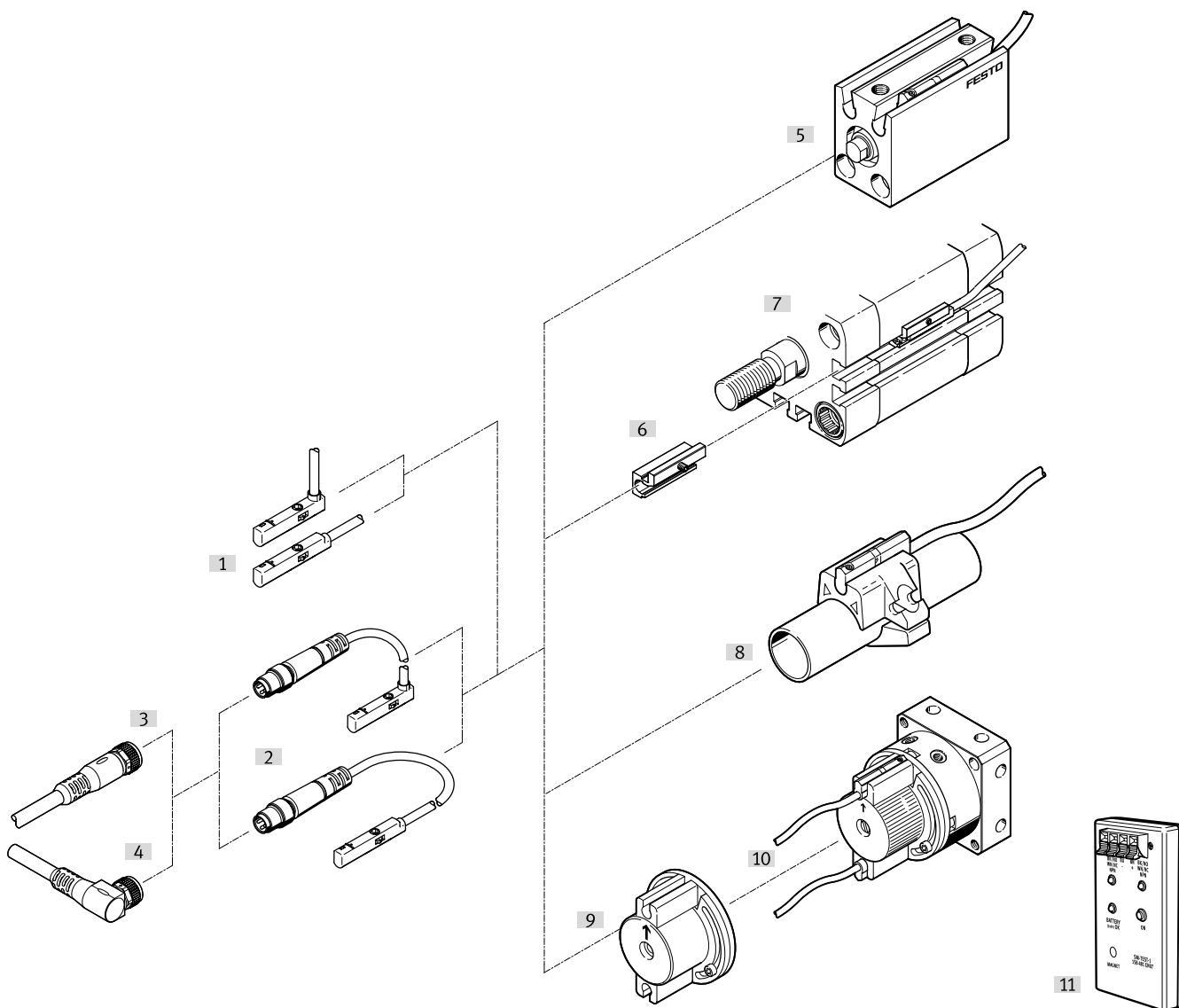
Suitable

Example: CDC



Not suitable

Peripherals overview



| Mounting attachments and accessories | | → Page/ Internet |
|--------------------------------------|---------------------------------------|---------------------|
| Proximity sensors | | |
| [1] | SMT-10M-...-OE, with cable | 7 |
| [2] | SMT-10M-...-M..., with cable and plug | 7 |
| Connecting cables | | |
| [3] | Connecting cable NEBU-M...G... | 14 |
| [4] | Connecting cable NEBU-M...W... | 14 |
| Mounting kits | | |
| [6] | Mounting kit SMBN-10 | 13 |
| [9] | Mounting kit WSM-...SME-10 | 14 |

| Mounting attachments and accessories | | → Page/ Internet |
|--------------------------------------|----------------------------|---------------------|
| Accessories | | |
| [11] | Sensor tester SM-TEST-1 | 14 |
| - | Positioning element SMM-10 | 13 |
| - | Clip SMBK-10 | 14 |
| - | Inscription label ASLR | 14 |
| - | Safety clip NEAU | 14 |
| Drives | | |
| [5] | Drives with C-slot | - |
| [7] | Drives with T-slot | - |
| [8] | Round cylinder | - |
| [10] | Semi-rotary drive DSM | - |

Type codes

| | | |
|------------|------------------|--|
| 001 | Series | |
| SMT | Proximity sensor | |

| | | |
|------------|---|--|
| 002 | Design type | |
| 10M | For C-slot, inserted in slot from above | |

| | | |
|-----------|------------------------|--|
| 003 | Switching output | |
| NS | 3-wire NPN N/O contact | |
| PS | 3-wire PNP N/O contact | |
| ZS | 2-wire PNP N/O contact | |

| | | |
|------------|-------------------------|--|
| 004 | Rated operating voltage | |
| 24V | 24 V | |

| | | |
|----------|---|--|
| 005 | Cable characteristic | |
| E | Suitable for energy chains/robot applications | |

| | | |
|------------|------------------|--|
| 006 | Cable length [m] | |
| 0.2 | 0.2 | |
| 0.3 | 0.3 | |
| 2.5 | 2.5 | |
| 30 | 30 | |

| | | |
|----------|---------|--|
| 007 | Display | |
| L | LED | |

| | | |
|----------|--------------|--|
| 008 | Cable outlet | |
| L | Longitudinal | |
| Q | Transverse | |

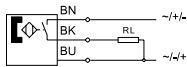
| | | |
|----------|----------------------|--|
| 009 | Cable identification | |
| | With label holder | |
| N | Without label holder | |

| | | |
|------------|-----------------------|--|
| 010 | Connection technology | |
| OE | Open end | |
| M8 | M8, snap-on flange | |
| M8D | M8, rotatable thread | |
| M12 | M12, rotatable thread | |

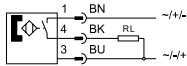
Data sheet – Magneto-resistive

Function

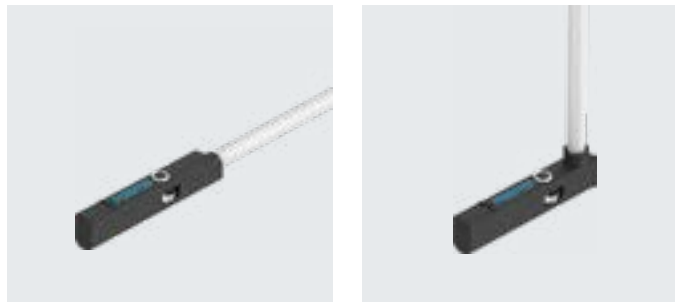
e.g. PNP, N/O contact, with cable



e.g. NPN, N/O contact, with cable



- Magneto-resistive measuring principle
- Inserted in the slot from above, does not protrude beyond the cylinder profile
- Cable clip and retaining bracket for inscription labels holders included in the scope of delivery



| General technical data | | | | |
|---|--|---|---------------------------------|--|
| Electrical connection 1, connection technology | M12x1, A-coded to EN 61076-2-101 | M12x1, A-coded to EN 61076-2-101, M8x1, A-coded to EN 61076-2-104, open end | M8x1, A-coded to EN 61076-2-104 | Open end |
| Design | For C-slot | | | |
| Conforms to standard | EN 60947-5-2 | | | |
| Certification | RCM compliance mark | | | |
| KC mark ¹⁾ | KCs explosion protection | KC EMC | | |
| KC certification number EMC/ radio ²⁾ | R-R-FTO-KC-2018-1076 | | | |
| UKCA mark (see declaration of conformity) ²⁾ | To UK instructions for EMC, to UK RoHS instructions | | | |
| CE mark (see declaration of conformity) ²⁾ | To EU EMC Directive, to EU RoHS Directive | | | |
| Special characteristics | Oil resistant | | | |
| Note on materials | RoHS-compliant, free of halogen | | | |
| PWIS conformity | VDMA24364-B2-L | | | |
| Application information | Support / Actuator-sensor overview “The right sensor for the actuator” | | | |
| Suitable for the production of lithium-ion batteries | - | | | Metals with more than 1% copper, zinc or nickel by mass are excluded from use. Exceptions are nickel in steel, chemically nickel-plated surfaces, printed circuit boards, cables, electrical plug connectors and coils |
| Cleanroom class | - | | | Class 4 to ISO 14644-1 |

1) Only with SMT-10M-PS-24V-E-0,3-L-M12

2) For information about the area of use, see the declaration of conformity at: www.festo.com/catalogue/sdbt → Support/Downloads.

If the devices are subject to usage restrictions in residential, commercial or light-industrial environments, further measures for the reduction of the emitted interference may be necessary.

| Input signal/measuring element | PS | NS | ZS |
|---------------------------------------|-------------------|----|--------------|
| Measured variable | Position | | |
| Measuring principle | Magneto-resistive | | |
| Ambient temperature [°C] | -40 ... +70 | | |
| Fused switching field strength | | | |
| at -40 ... +70°C [mT] | 1.6 ... 3.0 | | 1.95 ... 2.6 |
| at 25°C [mT] | 1.8 ... 2.8 | | 2.0 ... 2.5 |

Data sheet – Magneto-resistive

| Switching output | | PS | | NS | ZS |
|--|--|-------------|--|------------|------------------------|
| Type SMT-10M | | | | | |
| Switching output | | PNP | | NPN | Non-contacting, 2-wire |
| Switching element function | | N/O contact | | | |
| Switching output repetition accuracy in \pm mm | | 0.2 | | | |
| Switch-on time [ms] | | ≤ 1.3 | | ≤ 1.3 | ≤ 1.0 |
| Switch-off time [ms] | | ≤ 1.4 | | ≤ 1.4 | ≤ 1.0 |
| Max. switching frequency [Hz] | | 150 | | | |
| Max. output current [mA] | | 100 | | | |
| Max. output current in mounting kits [mA] | | 50 | | | |
| Max. switching capacity DC [W] | | 2.8 | | 2.8 | 2.4 |
| Max. switching capacity DC in mounting kits [W] | | 1.5 | | | 1.2 |
| Voltage drop [V] | | ≤ 1.7 | | ≤ 1.5 | ≤ 6 |
| Devices can be switched in parallel | | 5 | | 3 | 5 |
| Minimum load current [mA] | | 0 | | | 2.4 |
| Residual current (in new condition at room temperature) [mA] | | < 0.05 | | < 0.15 | < 1.5 |

| Additional output data | |
|------------------------------|---------|
| Short circuit current rating | Yes |
| Overload protection | Present |

| Electronics | | PS/NS | | ZS |
|--------------------------------|--|--------------------------------|--|----------|
| Rated operating voltage [V DC] | | 24 | | |
| Operating voltage range [V DC] | | 5 ... 30 | | |
| Ready-state delay [ms] | | < 45 | | < 17.2 |
| Reverse polarity protection | | For all electrical connections | | |

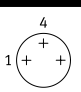
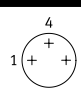
| Electromechanical components | | PS/NS | | | | ZS | | | |
|--|--|---|---------------------------------------|----|--|----------|---------------------------------------|----|--|
| Type SMT-10M | | | | | | | | | |
| Electrical connection | | OE | M8D | M8 | M12 | OE | M8D | M8 | M12 |
| Connection type | | Cable | Cable with plug | | | Cable | Cable with plug | | |
| Connection technology | | Open end | M8x1, A-coded to EN 61076-2-104 | | M12x1, A-coded to EN 61076-2-101 | Open end | M8x1, A-coded to EN 61076-2-104 | | M12x1, A-coded to EN 61076-2-101 |
| Number of pins/wires | | 3 | | | | 2 | 3 | | |
| Type of mounting | | – | Screw-type lock | | | – | Screw-type lock | | |
| Outlet direction of connection | | In-line Lateral | | | | | | | |
| Cable test conditions | | Energy chain: 5 million cycles, bending radius 28 mm Torsional resistance: 300,000 cycles, $\pm 270^\circ/0.1$ m Resistance to bending: to Festo standard; test conditions on request | | | | | | | |
| Cable length [m] | | 0.2 ... 30 | | | | | | | |
| Cable characteristic | | Energy chain + robot | | | | | | | |
| Information on materials: Cable sheath | | TPE-U(PUR) | | | | | | | |

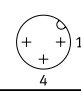
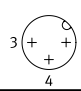
Data sheet – Magneto-resistive

| Mechanical system | |
|-----------------------------|--|
| Type of mounting | Screw-clamped, inserted in the slot from above |
| Max. tightening torque [Nm] | 0.4 |
| Mounting position | Any |
| Housing | PA-reinforced High-alloy stainless steel |

| Display/operation | |
|-----------------------------|------------|
| Switching status indication | Yellow LED |

| Immission/emission | |
|---|--------------|
| Ambient temperature with flexible cable installation [°C] | -20 ... +70 |
| Degree of protection | IP65 IP68 |

| Pin allocation to EN 60947-5-2 | | | |
|---|-----|-------------|------------|
| M8x1, 2-pin N/O contact | Pin | Wire colour | Allocation |
|  | 1 | Brown | + |
| | 4 | Black | Output |
| M8x1, 3-pin N/O contact | Pin | Wire colour | Allocation |
|  | 1 | Brown | + |
| | 3 | Blue | - |
| | 4 | Black | Output |

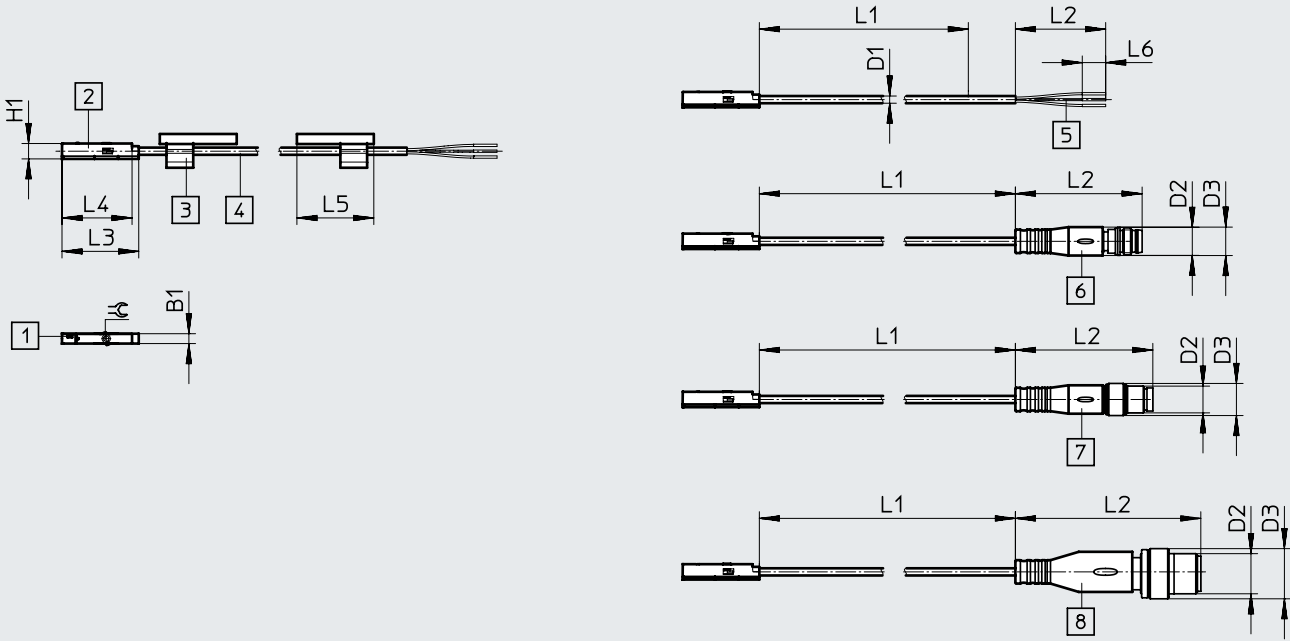
| Pin allocation to EN 60947-5-2 | | | |
|---|-----|-------------|------------|
| M12x1, 2-pin N/O contact | Pin | Wire colour | Allocation |
|  | 1 | Brown | + |
| | 4 | Black | Output |
| M12x1, 3-pin N/O contact | Pin | Wire colour | Allocation |
|  | 1 | Brown | + |
| | 3 | Blue | - |
| | 4 | Black | Output |

Data sheet – Magneto-resistive

Dimensions

Download CAD data → www.festo.com

SMT-10M-...-L, in-line connection direction



- [1] Yellow LED
- [2] SMT-10M
- [3] Inscription label holder
- [4] Connecting cable
- [5] Cable with open end
- [6] Plug M8x1, snap-on flange
- [7] Plug M8x1, rotatable thread
- [8] Plug M12x1
- L1 Cable length

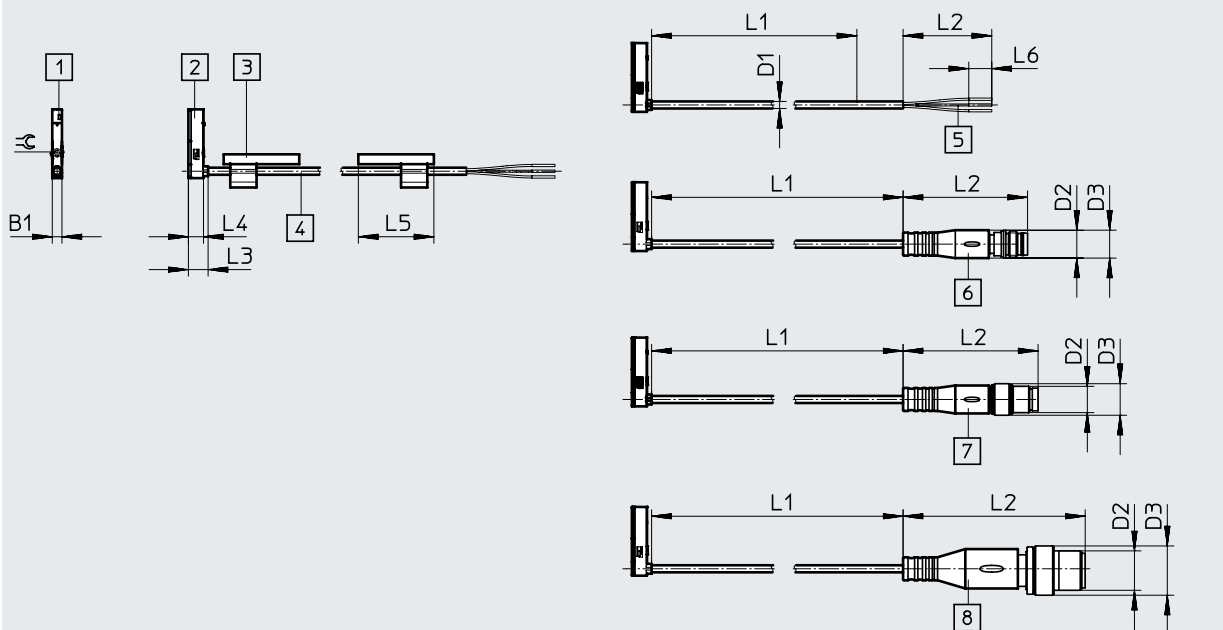
| Type | B1 | D1 | D2 | D3 | H1 | L2 | L3 | L4 | L5 | L6 | L7 | ⌀ |
|-----------------|-----|------|-------|-----|-----|----|------|------|----|----|----|-----|
| SMT-10M-...-OE | 2.9 | 2.15 | - | - | 4.6 | 50 | 22.9 | 20.9 | 23 | 50 | 7 | 1.5 |
| SMT-10M-...-M8D | | | M8x1 | 8.5 | | - | | | | | | |
| SMT-10M-...-M8 | | | M8x1 | 9.6 | | - | | | | | | |
| SMT-10M-...-M12 | | | M12x1 | 15 | | - | | | | | | |

Data sheet – Magneto-resistive

Dimensions

Download CAD data → www.festo.com

SMT-10M-...-Q, lateral connection direction

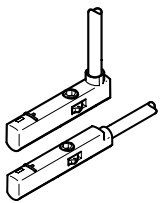


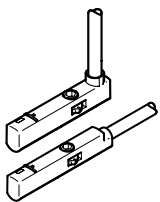
- [1] Yellow LED
- [2] SMT-10M
- [3] Inscription label holder
- [4] Connecting cable
- [5] Cable with open end
- [6] Plug M8x1, snap-on flange
- [7] Plug M8x1, rotatable thread
- [8] Plug M12x1
- L1 Cable length

| Type | B1 | D1 | D2 | D3 | H1 | L2 | L3 | L4 | L5 | L6 | L7 | ⊕ |
|-----------------|-----|------|-------|-----|------|------|----|-----|----|----|----|-----|
| SMT-10M-...-OE | 2.9 | 2.15 | - | - | 20.9 | 50 | 6 | 4.6 | 23 | 50 | 7 | 1.5 |
| SMT-10M-...-M8D | | | M8x1 | 8.5 | | 32.7 | | | | | - | |
| SMT-10M-...-M8 | | | M8x1 | 9.6 | | 41.1 | | | | | - | |
| SMT-10M-...-M12 | | | M12x1 | 15 | | 55.5 | | | | | - | |

Data sheet – Magneto-resistive

★ Core product range

| Ordering data | Switching output | Electrical connection | | Cable length [m] | Weight [g] | Part no. | Type |
|---|------------------------|-----------------------|-----------------------------------|------------------|------------|----------|----------------------------|
| | | Cable | Cable with plug, rotatable thread | | | | |
|  | N/O contact | | | | | | |
| | PNP | 3-wire, open end | – | 2.5 | 16.8 | ★ 551373 | SMT-10M-PS-24V-E-2,5-L-OE |
| | | 3-pin | M8x1, A-coded to EN 61076-2-104 | 0.3 | 6.7 | ★ 551375 | SMT-10M-PS-24V-E-0,3-L-M8D |
| | NPN | 3-wire, open end | – | 2.5 | 16.8 | ★ 551377 | SMT-10M-NS-24V-E-2,5-L-OE |
| | | 3-pin | M8x1, A-coded to EN 61076-2-104 | 0.3 | 6.7 | ★ 551379 | SMT-10M-NS-24V-E-0,3-L-M8D |
| | Non-contacting, 2-wire | 2-wire, open end | – | 2.5 | 14.6 | ★ 551382 | SMT-10M-ZS-24V-E-2,5-L-OE |

| Ordering data | Switching output | Electrical connection | | Cable length [m] | Weight [g] | Part no. | Type |
|--|--------------------|-----------------------|-----------------------------------|------------------|------------|---------------------------|----------------------------|
| | | Cable | Cable with plug, rotatable thread | | | | |
|  | N/O contact | | | | | | |
| | PNP | 3-wire, open end | – | 2.5 | 16.8 | 551374 | SMT-10M-PS-24V-E-2,5-Q-OE |
| | | 3-pin | M8x1 | 0.3 | 6.7 | 551376 | SMT-10M-PS-24V-E-0,3-Q-M8D |
| | PNP | 3-pin | M12x1, A-coded to EN 61076-2-101 | 0.3 | 14 | 8152201 | SMT-10M-PS-24V-E-0,3-L-M12 |
| | NPN | 3-wire, open end | – | 2.5 | 16.8 | 551378 | SMT-10M-NS-24V-E-2,5-Q-OE |
| | | 3-pin | M8x1, A-coded to EN 61076-2-104 | 0.3 | 6.7 | 551380 | SMT-10M-NS-24V-E-0,3-Q-M8D |
| Non-contacting, 2-wire | 2-wire, open end | – | 2.5 | 14.6 | 551383 | SMT-10M-ZS-24V-E-2,5-Q-OE | |

Modular products – Magneto-resistive

| Ordering table | | | | |
|--------------------------------|---|------------|----------------|------------|
| Size | 10 | Conditions | Code | Enter code |
| Module no. | 551372 | | | |
| Function | Proximity sensor for C-slot, non-contacting | | SMT-10M | SMT-10M |
| | | | - | - |
| Switching output | 3-wire PNP N/O contact | | PS | |
| | 3-wire NPN N/O contact | | NS | |
| | 2-wire N/O contact | | ZS | |
| | | | - | - |
| Rated operating voltage [V DC] | 24 | | 24V | 24V |
| | | | - | - |
| Cable characteristic | Energy chain + robot | | E | E |
| | | | - | - |
| Cable length [m] | 0.2 ... 30 | | ... | |
| | (0.2 ... 5.0 m in 0.1 m increments, 5.0 ... 30 m in 0.5 m increments) | | | |
| | | | - | - |
| Cable outlet | In-line | | L | |
| | Lateral | | Q | |
| | | | - | - |
| Cable designation | With inscription label holder | | - | |
| | Without inscription label holder | | N | |
| | | | - | - |
| Connection technology | Open end | | OE | |
| | M8, rotatable thread | | M8D | |
| | M8, snap-on flange | | M8 | |
| | M12, rotatable thread | | M12 | |

Accessories

Mounting SMBN-10

For mounting proximity sensors
SME/SMT-10 on drives with T-slot

Material:

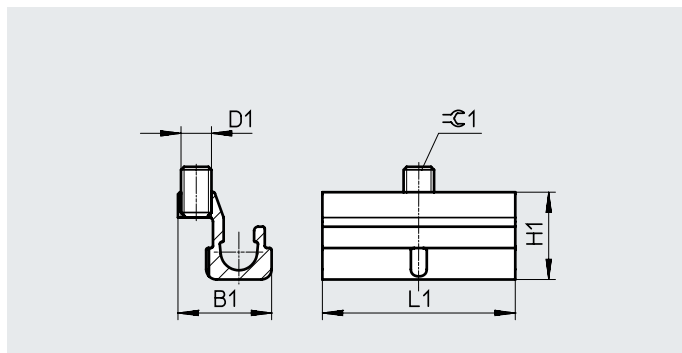
Rail: Anodised wrought aluminium
alloy

Screws: High-alloy stainless steel

Note on materials:

Free of copper and PTFE

RoHS-compliant



Dimensions and ordering data

| For piston \varnothing | D1 | B1 | H1 | L1 | \varnothing 1 | Part no. | Type |
|--------------------------|----|-----|-----|----|-----------------|---------------|----------------|
| 125 ... 320 | M3 | 9.3 | 8.6 | 19 | 1.5 | 537809 | SMBN-10 |

Positioning element SMM

Inserted in the slot lengthwise

Ambient temperature: $-40 \dots +120^{\circ}\text{C}$

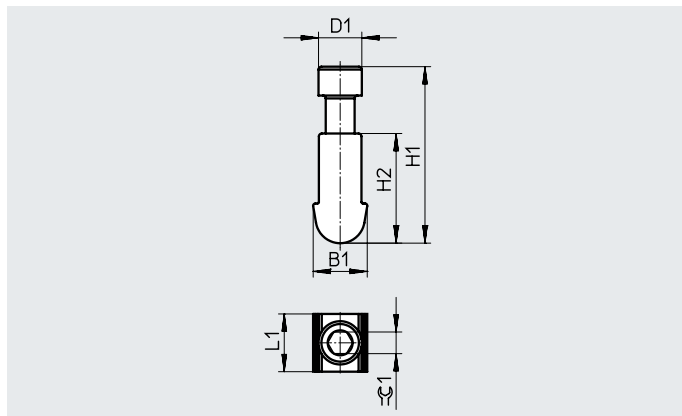
Materials:

Housing: Anodised wrought aluminium
alloy

Screws: High-alloy stainless steel

Note on materials:

RoHS-compliant



Dimensions and ordering data

| B1 | D1 | H1 | H2 | L1 | \varnothing 1 | CRC ¹⁾ | Part no. | Type | PU ²⁾ |
|------|-----|-------|-----|-----|-----------------|-------------------|---------------|---------------|------------------|
| 3.75 | 3.0 | 12.23 | 7.6 | 4.0 | 1.5 | 3 | 547942 | SMM-10 | 10 |

1) Corrosion resistance class CRC 3 to Festo standard FN 940070



High corrosion stress. Outdoor exposure under moderate corrosive conditions. Externally visible parts with primarily functional surface requirements which are in direct contact with a normal industrial environment.

2) Packaging unit

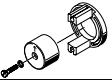

Accessories

Ordering data – Connecting cables


Data sheets → Internet: nebu

| | Type | Number of wires | Cable length [m] | Part no. | Type |
|--|-------------------|-----------------|------------------|----------|---------------------|
| Socket M8x1, 3-pin | | | | | |
|  | For SMT/SME-10... | 3 | 2.5 | ★ 541333 | NEBU-M8G3-K-2.5-LE3 |
| | | | 5 | ★ 541334 | NEBU-M8G3-K-5-LE3 |
|  | For SMT/SME-10... | 3 | 2.5 | ★ 541338 | NEBU-M8W3-K-2.5-LE3 |
| | | | 5 | ★ 541341 | NEBU-M8W3-K-5-LE3 |

Ordering data – Mounting components

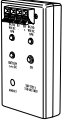
| | For Ø | Description | Part no. | Type |
|--|-------|--|----------|---------------|
|  | 6 | Mounting kit for mounting proximity sensors on semi-rotary drive DSM | 173205 | WSM-6-SME-10 |
| | 8 | | 173206 | WSM-8-SME-10 |
| | 10 | | 173207 | WSM-10-SME-10 |
|  | – | For fixing connecting cables in place | 534255 | SMBK-10 |

Ordering data – Safety clips for ATEX zone


| | Size | Description | Part no. | Type | PJ ¹⁾ |
|---|------|---|----------|-------------|------------------|
|  | M8 | <ul style="list-style-type: none"> Protects "equipment that is not intrinsically safe" in zones 2 and 22 against simple disconnection ATEX category: gas: II 3G / dust: II 3D | 548067 | NEAU-M8-GD | 1 |
| | M12 | | 548068 | NEAU-M12-GD | 1 |

1) Packaging unit

Ordering data – Sensor testers

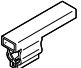
| | Description | Part no. | Type |
|--|---|----------|-----------|
|  | <ul style="list-style-type: none"> Testing the functionality of proximity sensors using the integrated voltage supply Adjusting the proximity sensors on the cylinder | 158481 | SM-TEST-1 |

Ordering data – Inscription labels

| | Size | Part no. | Type | PJ ¹⁾ |
|--|---------|----------|------------|------------------|
|  | 23x4 mm | 541598 | ASLR-L-423 | 34 |

1) Packaging unit

Ordering data – Inscription label holder

| | Length | Width | Height | For cable diameter | Part no. | Type | PS ¹⁾ |
|--|--------|--------|---------|--------------------|----------|-----------|------------------|
|  | 23 mm | 5.4 mm | 10.1 mm | 1.7 ... 3 mm | 8078305 | NEAU-LH-1 | 100 |

1) Pack size